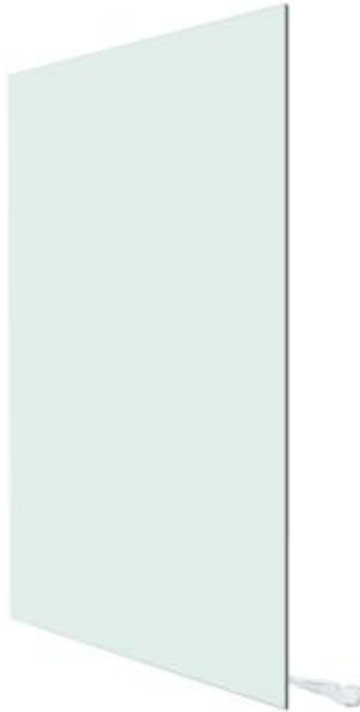


---

# PANEL HEATER

## INSTRUCTION MANUAL (wall mounted only)



## SYMBOLS







### Warning

This signal word indicates a hazard with an average risk level which, if not avoided, can result in serious injury or death.



### Warning of electrical voltage

This symbol indicates dangers to the life and health of persons due to electrical voltage.

Symbols	Meaning
	<p>This symbol located on the device indicates that it is prohibited to place objects (such as towels, clothes etc.) above or directly in front of the device.</p> <p>In order to avoid overheating and fire hazards, the device must not be covered.</p>
	<p>This symbol located on the device indicates dangers to the life and health of persons due to hot surface.</p>
	<p>This symbol located on the device indicates that it is prohibited to spray the device.</p>
	<p>This symbol located on the device and information marked indicates that operating manual must be observed.</p>

---

## **CONTENT**

1 | WARNING & PRECAUTION

2 | FEATURES

3 | TECHNICAL INFORMATION

4 | SCOPE OF SUPPLY

5 | DEVICE STRUCTURE

6 | INSTALLATION

7 | TROUBLESHOOTING

8 | MAINTENANCE & SERVICING

9 | STORAGE

10 | TECHNICAL ANNEX

11 | DISPOSAL

---

## 1 | WARNING & PRECAUTION

**Read this manual carefully before starting or using the device. Always store the manual in the immediate vicinity of the device or its site of use!**

**Read all safety warnings and all instructions.**

Failure to follow the warnings and instructions may result in electric shock, fire and / or serious injury. Save all warnings and instructions for future reference.



**Warning**

Do not ceiling mount those devices designed for wall only!  
Or else it may cause burning, fire and falling off risk!



**Warning**

This appliance can be used by children aged from 8 years and above and persons with reduced physical, sensory or mental capabilities or lack of experience and knowledge if they have been given supervision or instruction concerning use of the appliance in a safe way and understand the hazards involved.

Children shall not play with the appliance. Cleaning and user maintenance shall not be made by children without supervision.



**Warning**

Children of less than 3 years should be kept away unless continuously supervised.

Children aged from 3 years and less than 8 years shall only switch on/off the appliance provided that it has been placed or installed in its intended normal operating position and they have been given supervision or instruction concerning use of the

---

appliance in a safe way and understand the hazards involved.

Children aged from 3 years and less than 8 years shall not plug in, regulate and clean the appliance or perform user maintenance.



**Warning**

Do not use the device in small rooms if persons are present who cannot leave the room independently and who are not under constant supervision.



**Warning**

Some parts of this product can become very hot and cause burns. Particular attention has to be given where children and vulnerable people are present. Its dangerous of installation close to curtains and other combustible materials. To avoid the possibility of burns, the following people should be much more careful when using the heaters: infants and kids, people with sensitive skin, the old, the sick, people who is drunk, people who takes sleeping pills.

- Remove all the blue protective films(both on the front and on the back) before using.
- Be sure the usage voltage is between 220-240V, 50Hz, and power supply has been strictly in accordance with IEC, left is null wire and right is live wire, and also well grounded.
- The devices will draw more current than small appliances, so a separate 5A socket is required.
- Do not use the device in potentially explosive rooms.
- Do not use the device in aggressive atmosphere.
- Set the device up in an upright and stable position.
- Let the device dry out after a wet clean. Do not operate it when wet.
- Do not use the device with wet or damp hands.

- 
- Do not expose the device to directly squirting water.
  - Never insert any objects or limbs into the device.
  - Do not cover or transport the device during operation.
  - Do not sit on the device.
  - This appliance is not a toy! Keep away from children and animals. Do not leave the device unattended during operation.
  - Check accessories and connection parts for possible damage prior to every use of the device. Do not use any defective devices or device parts.
  - Ensure that all electric cables outside of the device are protected from damage (e.g. caused by animals). Never use the device if electric cables or the power connection are damaged!
  - The electrical connection must be according to the specifications in chapter Technical data.
  - Insert the mains plug into a properly secured mains socket.
  - Do not use the device when the socket or wire overloaded.
  - Observe the device's power input, cable length and intended use when selecting extensions to the power cable. Completely unroll extension cables. Avoid electrical overload.
  - Before carrying out maintenance, care or repair work on the device, remove the mains plug from the mains socket. Hold onto the mains plug while doing so.
  - Switch the device off and disconnect the power cable from the mains socket when the device is not in use.
  - Do not under any circumstances use the device if you detect damages on the mains plug or power cable. If the supply cord is damaged, it must be replaced by the manufacturer, its service agent or similarly qualified persons in order to avoid a hazard. Defective power cables pose a serious health risk.
  - During the installation of the device observe the minimum distances from walls and other objects as well as the storage and operating conditions specified in the Technical data chapter.
  - Never drill into the heating device.
  - Do not use the device once any damage found on the glass or mirror surface.
  - Do not use the device in immediate proximity to curtains.
  - Do not place the device on combustible ground.

- Do not transport the device during operation.
- Do not touch the surface during the device working to avoid burns.
- Allow the device to cool down before transport and / or maintenance work.
- Do not use this device near bathtubs, shower trays, swimming pools or other water containers. Risk of electric shock!
- The device must be placed where the switches and controllers cannot be touched by a person in a bathtub or shower.
- Do not use this device in a child-care centre and bathroom.(Only for Sweden)
- This series must be mounted above 0.6meters high !

## 2 | FEATURES

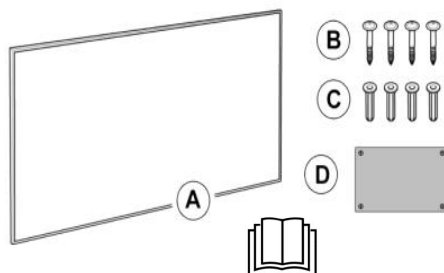
- The device is designed to provide an efficient, comfortable and healthy heating system for any domestic users.
- These devices can reduce air circulation and help to maintain a clean, silent, dust free environment.
- Warning again, all the devices should be wall mounted.
- A wide range of device devices available in a huge choice of colors, sizes and styles.

## 3 | TECHNICAL INFORMATION

Heating element	Carbon
Heating way	Far infrared heating
Voltage	220-240V/50Hz
Surface temperature	Main 70-90°C
Surface	Tempered Glass or mirror
IP grade	IP54 (exclude plug)
Over heating protection	Yes
Power cord length	1.9m

## 4 | SCOPE OF SUPPLY

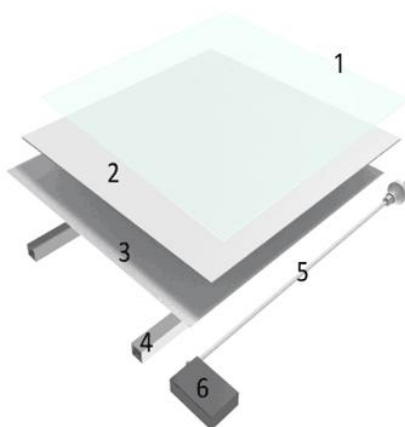
- 1 x heating device
- 4 x Screws
- 4 x Dowel
- 1 x drilling template
- 1 x Manual



## 5 | DEVICE STRUCTURE

### Designation

- 1 Surface(glass or mirror)
- 2 Heating element
- 3 rear metal sheet
- 4 Wall attachment
- 5 Power cord
- 6 Junction box



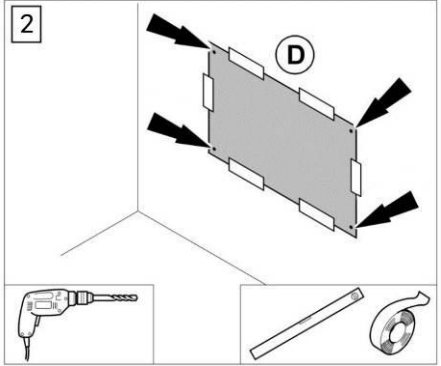
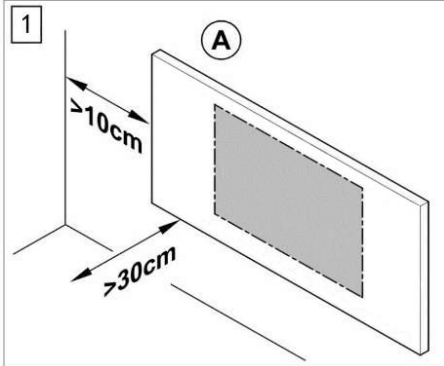
## 6 | INSTALLATION

**Make sure remove all the protective films(both on the front and back)!**

1. Choose the mounting position, keep the required minimum distances.

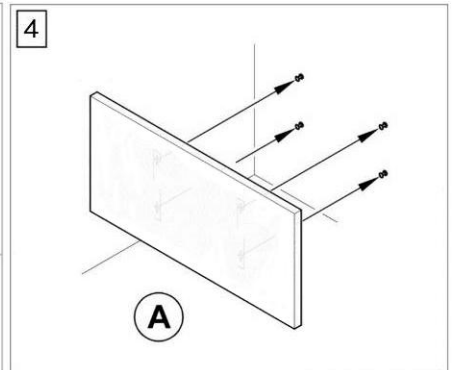
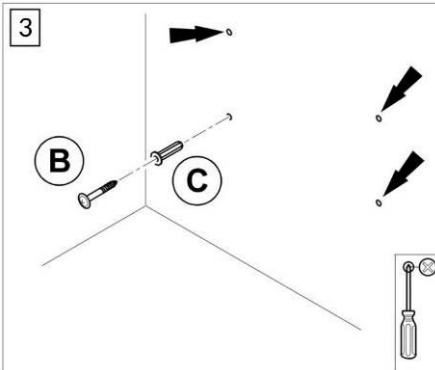
Distances required for device mounting	
front	Minimum 30cm
left	Minimum 10cm
right	Minimum 10cm
top	Minimum 50cm

2. Mark the positions for the bore holes onto the drilling template (D) if there are no existing marks. Stick the drilling template on the wall. Drill the holes with an 8mm rotary bit.



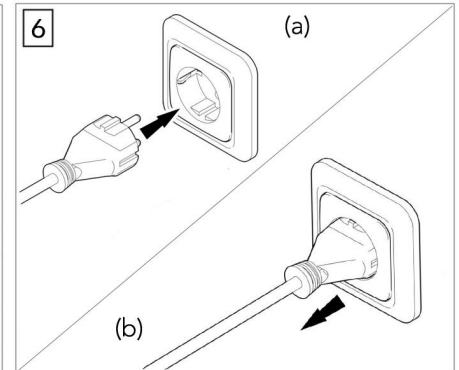
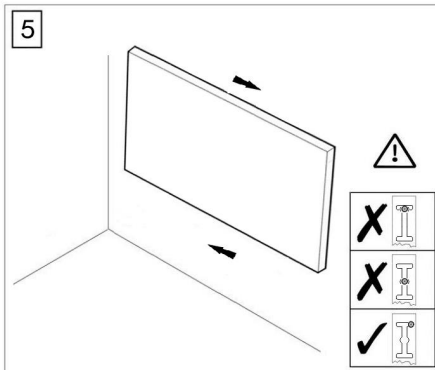
3. Insert the screws into the dowels and fasten the screws. The screws should protrude approx.0.5 cm from the dowels.

4. Hang the infrared heating device (A) in.



5. Slid the device to make the screws into the correct positions as showing In below drawing.

6. Plug in to start using the heating device. Do pull out the plug when not in use .

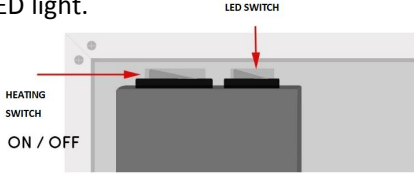



## 7 | FUNCTIONAL OPERATING INSTRUCTIONS

### START-UP:

1. Check if the power cord is intact.
2. Check if the power supply voltage is consistent. (**The power socket is required to have a grounding terminal and good grounding performance.**)
3. Whether the power cord plug and socket are matched, and make sure your socket power supply match the product input power voltage.

### FUNCTIONAL OPERATING INSTRUCTIONS:

<p>Heating Function</p>	<p>The heating function will be turned on when plug in power if there is no heating switch at black junction box. Otherwise. Or turn on the Heating switch at black junction box to turn on the heating function. Turn off the Heating switch at black junction box to turn off heating function. If there is a built-in thermostat, the heating function will be only controlled by the built-in thermostat. Please refer to the manual of internal thermostat.</p>
<p>LED Light Function (option)</p>	<p>For single LED light, Turn on/off the LED switch at black junction box to turn on/off the LED light.</p>  <p>For dual LED light, press gear “I” to turn on 6000K(cold) light; press gear “II” to turn on 3000K(warm) light; Press gear “O” to turn off LED light.</p> 

## 8 | TROUBLESHOOTING

Problem	Reason	Measure
It has noise when original charged with electricity	Due to the structure stress of the heat insulator.	It is a normal phenomenon. Don't worry about it.
The surface of the heating device isn't 70° -90° hot.	1. The voltage is low. 2. In a low-temperature environment.	1. Install a voltage regulator. 2. It is normal.

## 9 | MAINTENANCE & SERVICING

### Activities required before starting maintenance



#### Warning of electrical voltage

- Do not touch the mains plug with wet or damp hands.
- Hold onto the mains plug while pulling the power cable out of the mains socket.
- Allow the device to cool down completely.



#### Warning of electrical voltage

- Tasks which require the housing to be opened must only be carried out by authorized specialist companies.

### Cleaning the device



#### Warning of electrical voltage

- Never immerse the device in water!
- Clean the device with a soft, damp and lint-free cloth. Ensure that no moisture enters the housing. Protect electrical components from moisture. Do not use any aggressive cleaning agents such as cleaning sprays, solvents, alcohol-based or abrasive cleaners to dampen the cloth.
- Wipe the housing dry after cleaning

## 10 | STORAGE

When the device is not being used, observe the following storage conditions:

- dry and protected from frost and heat
- in an upright position where it is protected from dust and direct sunlight
- with a cover to protect it from invasive dust, if necessary
- Place no further devices or objects on top of the device to prevent it from being damaged.

## 11 | TECHNICAL ANNEX

Model NO.	Size(cm)	Power (W)	Voltage Frequency	Rated Current
G0606X	60*60*1.2	320	230V/50HZ	1.4A
G0806X	80*60*1.2	450		2.0A
G1006X	100*60*1.2	580		2.5A
G1206X	120*60*1.2	700		3.0A
G1008X	100*80*1.2	800		3.5A
X=Null;M(Null=glass itself; M=mirror)				

More models are available

Model	Nominal heat output/(Pnom)/(KW)	Minimal heat output(in dicative)/(Pmin)/(KW)	Maximum continuous heat output/(Pmax.c)/(KW)	At nominal heat output/(elmax)/(KW)	At minimal heat output/(elmin)/(KW)
aGT-G0606X	0.3	N/A	0.3	0.335	N/A
aGT-G0806X	0.4	N/A	0.4	0.470	N/A
aGT-G1006X	0.6	N/A	0.6	0.608	N/A
aGT-G1206X	0.7	N/A	0.7	0.732	N/A
aGT-G1008X	0.8	N/A	0.8	0.836	N/A

Information requirements for electrical local space heaters

Item	Unit
<b>Type of heat input, for electric storage local space heaters only (select one)</b>	
manual heat charge control, with integrated thermostat	N/A
manual heat charge control with room and/or outdoor	N/A
electronic heat charge control with room and/or outdoor	N/A
fan assisted heat output	N/A
<b>Type of heat output/room temperature control (select one)</b>	
single stage heat output and no room temperature control	[no]
Two or more manual stages, no room temperature control	[no]
with mechanic thermostat room temperature control	[no]
with electronic room temperature control	[no]
electronic room temperature control plus day timer	[no]
electronic room temperature control plus week timer	[yes]
<b>Other control options (multiple selections possible)</b>	
room temperature control, with presence detection	[no]
room temperature control, with open window detection	[no]
with distance control option	[no]
with adaptive start control	[yes]
with working time limitation	[no]
with black bulb sensor	[no]

---

## 12 | DISPOSAL



The icon with the crossed-out waste bin on waste electrical or electronic equipment stipulates that this equipment must not be disposed of with the household waste at the end of its life.

You will find collection points for free return of waste electrical and electronic equipment in your vicinity. The addresses can be obtained from your municipality or local administration.

The separate collection of waste electrical and electronic equipment aims to enable the re-use, recycling and other forms of recovery of waste equipment as well as to prevent negative effects for the environment and human health caused by the disposal of hazardous substances potentially contained in the equipment.