

# INFRARED PATIO HEATER

Safety Instructions  
and Operation Manual

- LDHR017B-6003-H**
- LDHR017B-6003-V**
- LDHR017B-12006-H**
- LDHR017B-12006-V**


Thank you for purchasing our products. Please read carefully this instruction before using and operate strictly accordance with the instructions, and especially pay attention to "**Important Safety Instructions**". Please be careful collection after reading so as to for future reference.

## **Introduction**

The infrared heater is heating in the way of radiation, it doesn't need to heat the ambient air (medium), so infrared heater is energy-efficient in the outdoor areas.

## **Important Safety Instructions**

- The product is specially designed and developed for commercial or industrial use, and is forbidden to be used in non-commercial or non industrial environment.
- Check if the voltage indicated on the nameplate of the appliance corresponds to the local mains voltage before you connect the appliance.
- The power supply to the appliance should correspond to the relevant regulations of the power supply companies and the regional construction regulations. Extension cords and multi-sockets may be used only if care is exercised in their use. The marked electrical rating of the extension cord or multi-socket should have adequate current carrying capacity and correspond to the relevant regulations of the power supply companies and the regional construction regulations. Check if the voltage indicated on the appliance corresponds to the marked electrical rating of the extension cord or multi-socket before you connect the appliance.
- The appliance is not located immediately below a wall socket-outlet.
- Never install this appliance close to anything combustible material, such as furniture, curtains, etc.
- In order to avoid overheating and fire hazard, do not cover or obstruct the appliance. Do not put any of the following materials on the appliance, such as clothes, blanket, pillow, paper etc.
- The casing and the front cover of the appliance become extremely hot during operation. Pay attention that, no combustible material due to Wind or other environmental influences covers or obstructs the appliance, such as curtains, marquees, flags, plastic foil etc. Do not touch the appliance. Caution! Risk of scald injury!
- Do not let the cord hang over edge of table or counter, or touch hot surfaces.

- If the supply cord is damaged, it must be replaced by the manufacturer or its service agent or a similarly qualified person in order to avoid a hazard.
- In case of improper use, there is a risk of electrical shock and/or fire hazard. Operation of the appliance must be discontinued and remove the mains plug immediately. Do not try to repair the appliance by your-self. Please contact with the service agent or a suitably qualified electrician for maintenance.
- This appliance is not intended for use by persons (including children) with reduced physical, sensory or mental capabilities, or lack of experience and knowledge, unless they have been given supervision or instruction concerning use of the appliance by a person responsible for their safety.
- Keep out of reach of children. In order to keep children from the dangers of electrical appliances, never leave them unsupervised with the machine. Consequently, when selecting the location for your machine, do so in such a way that children do not have access to the machine. Children being supervised not to play with the appliance.
- The appliance must only be mounted by an authorized specialist, paying attention to the relevant regulations of the power supply companies and the regional construction regulations.
-  Warning: to avoid overheating, do not cover the heater

## Specifications

Model	<input checked="" type="checkbox"/> LDHR017B-6003-H <input checked="" type="checkbox"/> LDHR017B-6003-V <input type="checkbox"/> LDHR017B-12006-H <input type="checkbox"/> LDHR017B-12006-V
Voltage (V)	Three phase 380-415V ~ 50/60Hz <b>Star connection method (Phase to Neutral)</b>
Power consumption (W)	<input checked="" type="checkbox"/> 6kW <input type="checkbox"/> 12kW
Dimensions	<input checked="" type="checkbox"/> 1292×255×184mm <input checked="" type="checkbox"/> 525×422×184mm <input type="checkbox"/> 1292×390×184mm <input type="checkbox"/> 857×525×184mm
IP protection	IPX5

# Installation

- For additional protection the installation of a residual current device (RCD) is advisable.
- Remove all package material (including anti-vibration object of the lamp) and check the appliance and supply cord for signs of damage.
- Pay attention to the mounting place and all mounting material(dowels, screws). Ensure they are suitable and stable enough for mounting and lastingly holding of the appliance.
- Before mounting, the minimum safe mounting distances shown in the figures must be strictly followed.

Model	Power	A(mm)	S(mm)	C(mm)
LDHR017B-6003-H	6kW	190	2000	3000
LDHR017B-6003-V				3500
LDHR017B-12006-H	12kW	190	4000	4500
LDHR017B-12006-V				6000

Figure 1: Mounting bracket and anchor dowels provided.

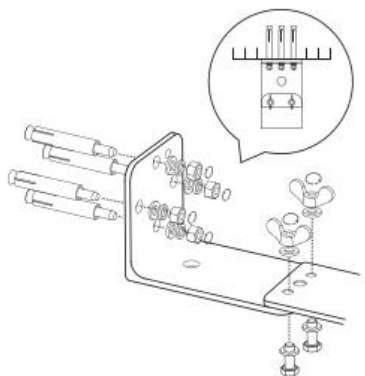
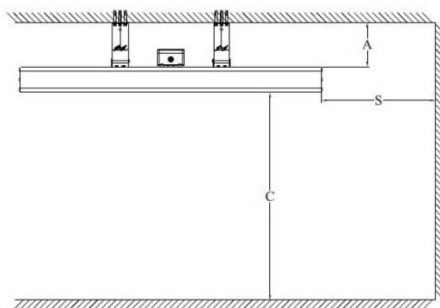


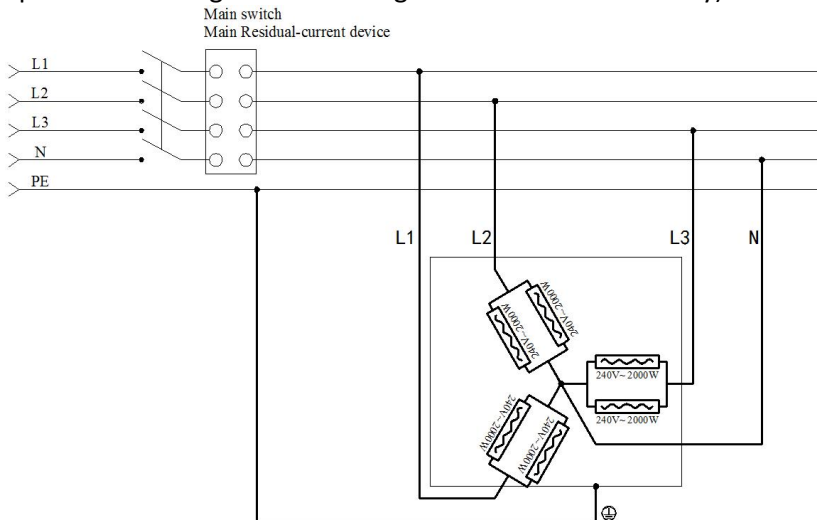
Figure 2: Min. distance to floor, ceiling and wall.



- Adjust the desired radiation angle and tighten all screws. Check the connection of the screws regularly. Mechanical bearing pressure and oscillation due to wind or rain could lead to loose.
- Connect the power. Then observe, whether during the first 10-15 minutes the appliance works trouble-free.

## Electrical Considerations:

- **In all cases we recommends using Type C or Type D MCB protection** because current requirements of the heaters are high and powering up the lamps will cause a momentary current inrush, which lasts only milliseconds, but can be as much as 12 times normal operating current.
- **3-phase units must be wired in Star (3-phase Wye) configuration (Phase to Neutral). DO NOT wire in Delta (i.e. phase to phase) configuration.**
- **This is a Class 1 appliance and must be earthed.**
- Do not provide partial input signal to the thyristor (e.g. for dimming) as this can cause the lamps to flicker.
- Do not install or operate the heater where it can be dripped-on or where there is a risk of the unit falling into water.
- Do not exceed specified voltage.
- The wiring schematic diagram is shown in the following figure (the number and power of heating tubes in the figure are for reference only).



## Cleaning and Maintenance

- This appliance consists of a robust and maintenance-free aluminum casing. No user serviceable parts inside.
- Before cleaning, remove the plug from the power outlet and wait until the appliance is sufficiently cooled off.
- Wipe the appliance only with clean and lint-free cloth or a soft brush.
- Never use abrasive cleaners, scrubbing brushes and chemical cleaners for cleaning!
- The alcohol can be used to clean the appliance. When cleaning the reflector, please contact with the service agent or a suitably qualified electrician if the reflector needs to be removed.
- To protect against electrical shock and danger of life, do not immerse cord, plug, or any part of the appliance in water or other liquid.
- For heating element replacement, please contact the manufacturer or its service agent or a similarly qualified person.

## Disposal



- In accordance with European Directive 2012/19/EU concerning used electrical and electronic appliances (waste electrical and electronic equipment – WEEE), please return any electrical equipment that you will no longer use to the collection points provided for their disposal.
- This symbol indicates that the appliance cannot be treated as normal domestic trash, but must be handed to a collection point for recycling electric and electronic appliances. Information concerning where the equipment can be disposed of can be obtained from your local authority.

## Customer Service

- Repairs must be carried out by authorized specialists, thus ensuring electrical safety. Please contact with the service agent or a suitably qualified electrician.
- Improper repairs could lead to danger to the user.

- This warranty does not cover damage of failure which results from alteration, accident, misuse, abuse, neglect, commercial use or improper maintenance.
- In line with our policy of continuous product development we reserve the right to change the product and documentation specifications without notice.