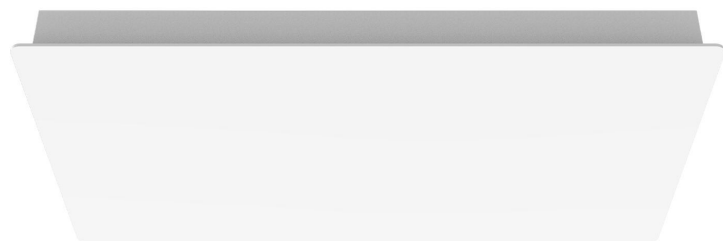


PANEL HEATER

INSTRUCTION MANUAL



SYMBOLS







Warning

This signal word indicates a hazard with an average risk level which, if not avoided, can result in serious injury or death.



Warning of electrical voltage

This symbol indicates dangers to the life and health of persons due to electrical voltage.

Symbols	Meaning
	This symbol located on the device indicates that it is prohibited to place objects (such as towels, clothes etc.) above or directly in front of the device. In order to avoid overheating and fire hazards, the device must not be covered.
	This symbol located on the device indicates dangers to the life and health of persons due to hot surface.
	This symbol located on the device indicates that it is prohibited to spray the device.
	This symbol located on the device and information marked indicates that operating manual must be observed.

CONTENT

- 1 | WARNING & PRECAUTION
- 2 | FEATURES
- 3 | TECHNICAL INFORMATION
- 4 | SCOPE OF SUPPLY
- 5 | INSTALLATION
- 6 | OPERATION INSTRUCTIONS
- 7 | TROUBLESHOOTING
- 8 | MAINTENANCE & SERVICING
- 9 | STORAGE
- 10 | TECHNICAL ANNEX
- 11 | DISPOSAL

1 | WARNING & PRECAUTION

Read this manual carefully before starting or using the device. Always store the manual in the immediate vicinity of the device or its site of use!

Read all safety warnings and all instructions.

Failure to follow the warnings and instructions may result in electric shock, fire and / or serious injury. Save all warnings and instructions for future reference.



Warning

This series must be mounted above 2.3meters high !

Make sure the series you bought and install it in accordance to the tips in installation part!



Warning

This appliance can be used by children aged from 8 years and above and persons with reduced physical, sensory or mental capabilities or lack of experience and knowledge if they have been given supervision or instruction concerning use of the appliance in a safe way and understand the hazards involved.

Children shall not play with the appliance. Cleaning and user maintenance shall not be made by children without supervision.



Warning

Children of less than 3 years should be kept away unless continuously supervised.

Children aged from 3 years and less than 8 years shall only switch on/off the appliance provided that it has been placed or installed in its intended normal operating position and they have been given supervision or instruction concerning use of the appliance in a safe way and understand the hazards involved.

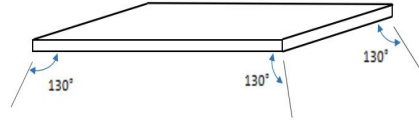
Children aged from 3 years and less than 8 years shall not plug in, regulate and clean the appliance or perform user maintenance.

Warning

Do not use the device in small rooms if persons are present who cannot leave the room independently and who are not under constant supervision.

Warning

Sensors with temperature detection, or temperature controller, should not be placed within the radiation range of 130 degrees of the ceiling heating plate, otherwise it will affect the actual temperature detection .



Warning

Some parts of this product can become very hot and cause burns. Particular attention has to be given where children and vulnerable people are present. Its dangerous of installation close to curtains and other combustible materials. To avoid the possibility of burns, the following people should be much more careful when using the heaters: infants and kids, people with sensitive skin, the old, the sick, people who is drunk, people who takes sleeping pills.

- Remove the protective film(on the front) before using.
- Be sure the usage voltage is between 220-240V, 50Hz, and power supply has been strictly in accordance with IEC, left is null wire and right is live wire, and also well grounded.
- The devices will draw more current than small appliances, so a separate 15A socket is required.
- Do not use the device in potentially explosive rooms.
- Do not use the device in aggressive atmosphere.
- Set the device up in an upright and stable position.
- Let the device dry out after a wet clean. Do not operate it when wet.
- Do not use the device with wet or damp hands.
- Do not expose the device to directly squirting water.
- Never insert any objects or limbs into the device.
- Do not cover or transport the device during operation.

- Do not sit on the device.
- This appliance is not a toy! Keep away from children and animals. Do not leave the device unattended during operation.
- Check accessories and connection parts for possible damage prior to every use of the device. Do not use any defective devices or device parts.
- Ensure that all electric cables outside of the device are protected from damage (e.g. caused by animals). Never use the device if electric cables or the power connection are damaged!
- The electrical connection must correspond to the specifications in chapter Technical data.
- Do not use the device when the socket or wire overloaded.
- Observe the device's power input, cable length and intended use when selecting extensions to the power cable. Completely unroll extension cables. Avoid electrical overload.
- Before carrying out maintenance, care or repair work on the device, remove the mains plug from the mains socket or disconnect the circuit.
- Switch the device off and disconnect the power cable from the main socket when the device is not in use.
- Do not use the device under any circumstances if any damages on the mains plug or power cable. If the supply cord is damaged, it must be replaced by the manufacturer, its service agent or similarly qualified persons in order to avoid a hazard. Defective power cables pose a serious health risk.
- During the installation of the device observe the minimum distances from walls and other objects as well as the storage and operating conditions specified in the Technical data chapter.
- Never drill into the heating device.
- Do not use the device in immediate proximity to curtains.
- Do not place the device on combustible ground.
- Do not transport the device during operation.
- Do not touch the surface during the device working to avoid burns.
- Allow the device to cool down before transport and / or maintenance work.
- Do not use this device near bathtubs, shower trays, swimming pools or other water containers. Risk of electric shock!
- The device must be placed where the switches and controllers cannot be touched by a person in a bathtub or shower.
- Do not use this device in a child-care centre and bathroom.(Only for Sweden).

- The ambient temperature when using this device shall not exceed 30 degree.

2 | FEATURES

- The device is designed to provide an efficient, comfortable and healthy heating system for any domestic users.
- These devices can reduce air circulation and help to maintain a clean, silent, dust free environment.
- A wide range of devices available in a huge choice of colors, sizes and styles.

3 | TECHNICAL INFORMATION

2CG series

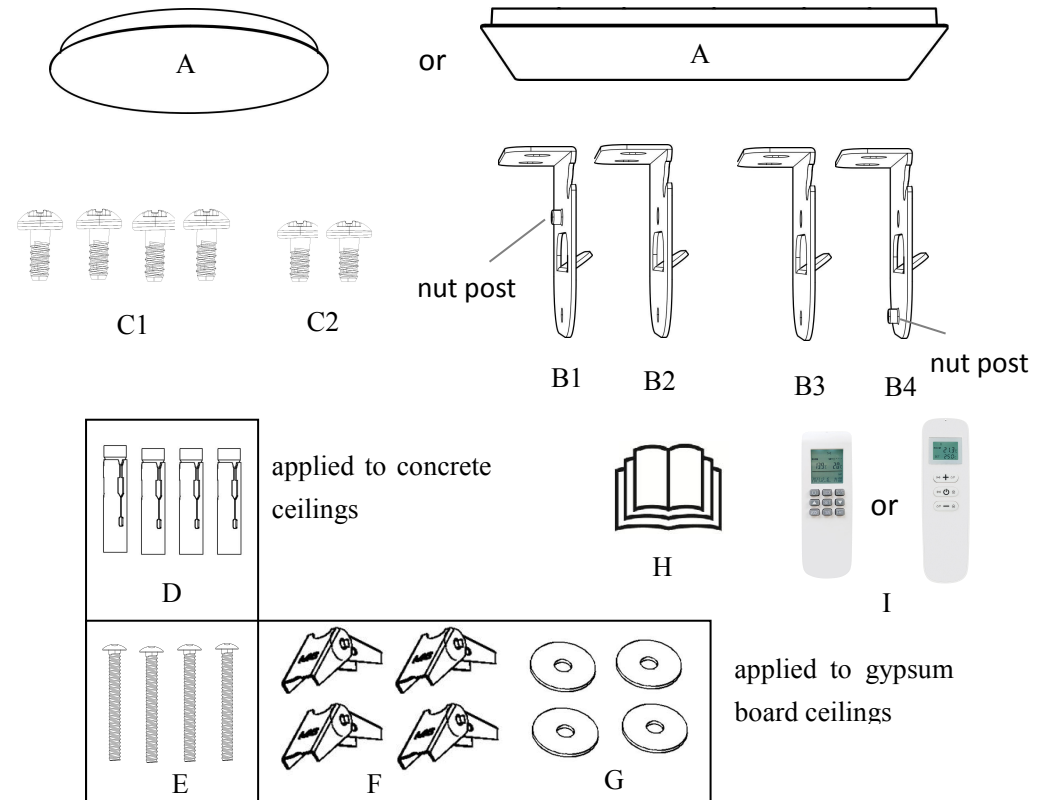
Heating element	Aluminum heating tube
Input Voltage	220-240V/50Hz
Surface temperature	Main 280°C
Surface material	Aluminum
Power cord length	≤1.9m

Model NO.	Size(mm)	Power(W)
IGTa-CGR60	Φ 554	750
IGTa-CGR80	Φ 754	1400
IGTa-CGR100	Φ 954	2400
IGTa-CG0603	610*330	750
IGTa-CG0803	870*330	1150
IGTa-CG1003	1010*330	1300
IGTa-CG1203	1290*330	1700
IGTa-CG1503	1560*330	2000

I=built-in temperature control;

a=1/2(1=Remote thermostat; 2=WIFI and Remote thermostat)

4 | SCOPE OF SUPPLY



A: Heater(circular or rectangular) ×1	B(B1&B2&B3&B4): Brackets ×4
C: (C1&C2): Phillips round-head screw ×6	D: Metal expansion tubes ×4
E: Phillips flat head screw ×4	F: Spring Toggles x 4
G:Washers x 4	H: Manual ×1
I: Thermostat × 1(optional)	

- Tips:** 1. B2 and B3 have the same structure , B1 and B2 are used for the ceiling, while B3 and B4 are used on the device to avoid confusion.
2. D and E are applied to concrete ceilings, whereas F, G and E are used on gypsum board ceilings.

5 | INSTALLATION



Warning

- Mounting work must be carried out by professional electrician !
- Do not suspend panels by heating power cord !
- No any sticking ways are allowed to be used for hanging or suspending support !
- Make sure the ceiling is stable enough !
- Do remove the front protective film before using !
- Power cord must be well grounded!



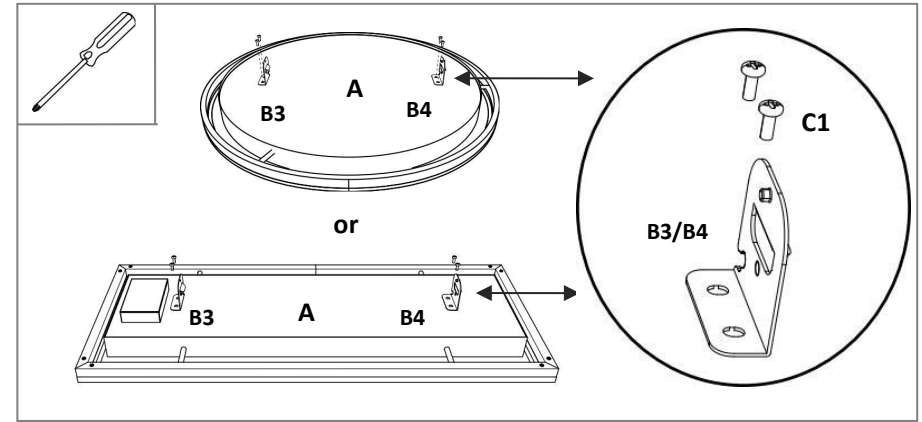
WARNING:

- To mitigate errors, please measure all dimensions before proceeding with the installation.
- Install this product at a minimum height of 2.3 meters above the ground level.
- The articulating brackets must be securely fastened with bolts before connecting the heater to the fixed electrical circuit.
- The heater must be installed within a distance of less than 190cm from a properly grounded outlet. Do NOT use an extension cord.

Before starting the installation, please make sure to determine the material of the ceiling. The following are the installation methods for **concrete ceilings** and **gypsum board ceilings**. Please choose and use appropriate accessories based on the specific situation.

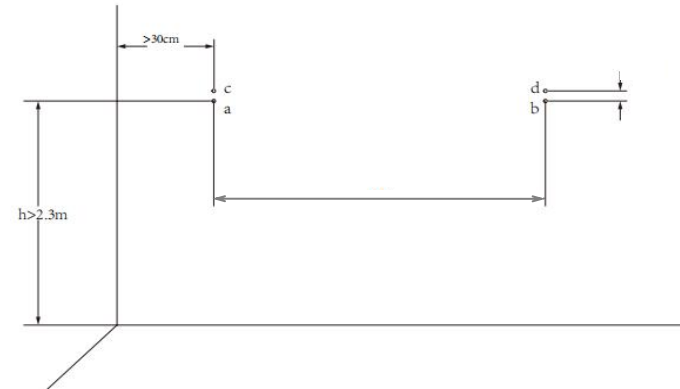
a. Concrete ceiling Installation

1. Align the two brackets (B3&B4) separately with the pre-drilled installation holes on the back of the device (A), ensuring that the direction of both brackets remains consistent, secure each bracket (B3/B4) in place using screws (C1).
Note: Please install the brackets (B3&B4) in the direction shown in the diagram to avoid interfering with the junction box.



2. Secure the mounting template onto the ceiling, accurately identifying the corresponding hole positions, and mark the hole locations on the ceiling for drilling purposes. (Alternatively, you can determine the drilling positions by measuring the distances ab and ac on the back of the product.)

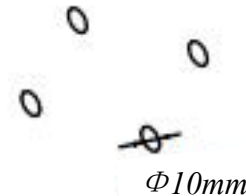
Note: Install the device at least 2.3m above the floor.



3. Drill 4×10mm holes at the marked positions.



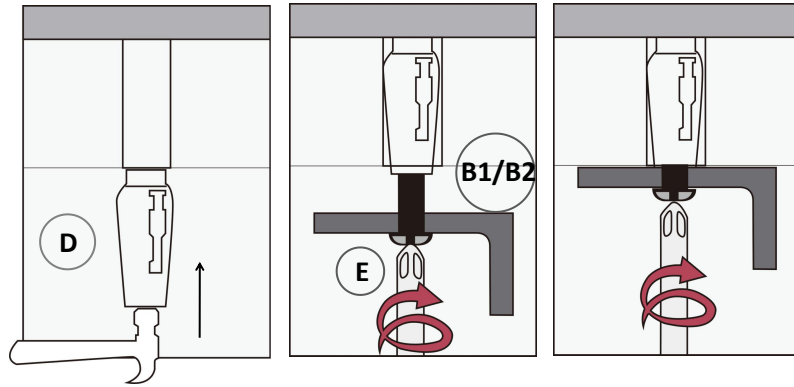
Excessive drilling diameter is strictly prohibited !



4. Insert the metal expansion tubes(D) into the drilled holes.
5. Thread the screw(E) through the holes in the two brackets (B1&B2), then secure

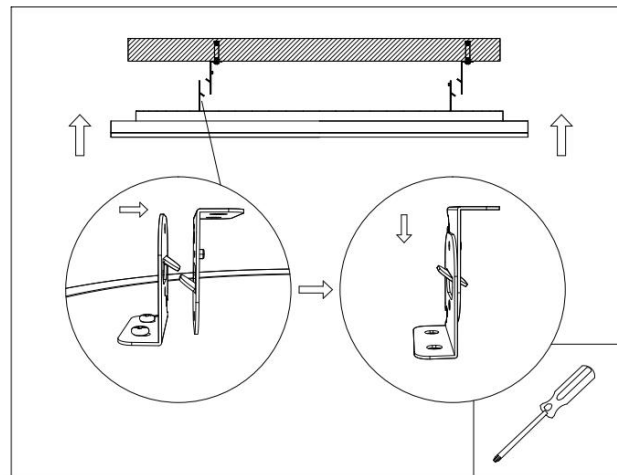
them into the metal expansion tubes(D).

Note: Ensure that the two brackets (B1&B2) are oriented in the opposite direction to the two brackets (B3&B4) that are already installed on the device.

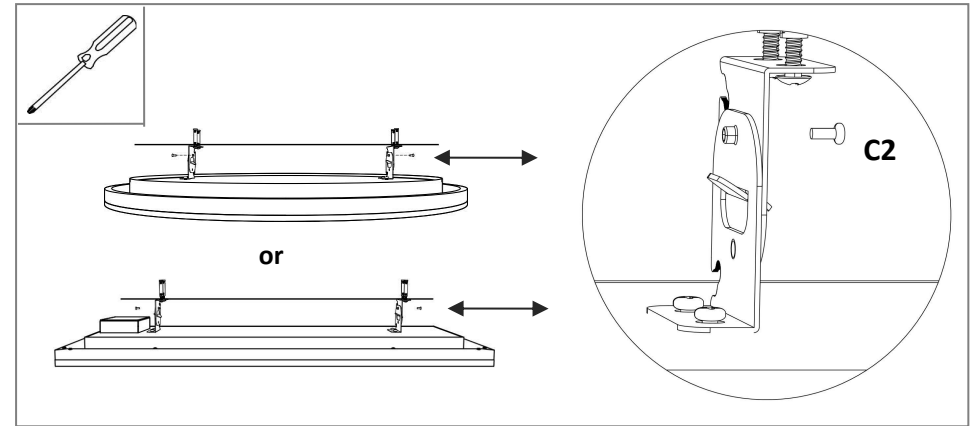


! *The expanding nut goes into the inside of the hole, it is strictly prohibited to install it in reverse!*

6. First, interlock the hanging tabs on the brackets(B3&B4) attached to the product(A) with the hanging tabs on the corresponding brackets(B1&B2) on the ceiling, passing them through the slotted holes and securely engaging them together. Then, gently shake the product to confirm that it is properly locked in place and does not come loose.



7. Secure the two brackets with screws(C2) and tighten the screws.



b. Gypsum Board Ceiling Installation

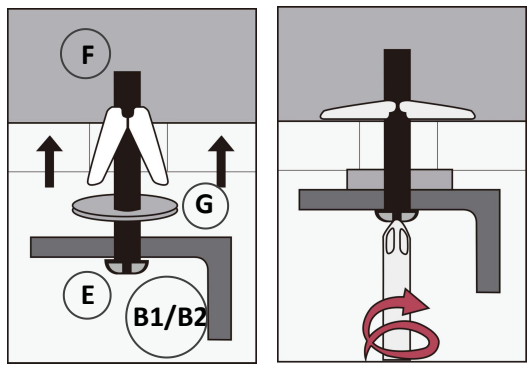
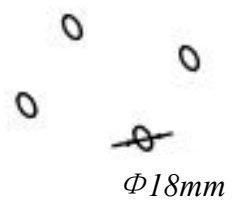
1. Refer to Step 1 of the concrete ceiling installation to secure the brackets (B3&B4) to the device.
2. Refer to Step 1 of the concrete ceiling installation to mark the drilling positions.

- !**
1. Please note that the spring toggles (F) are designed for gypsum boards or wooden ceilings with a thickness ranging from 9-18mm. It is forbidden to be used on gypsum board ceilings with a thicknesses less than 9mm.
 2. For wooden ceilings exceeding 18mm in thickness, consider employing metal expansion tubes (D) or using your own carpentry nails, ensuring the carpentry nails meet or exceed M5*40mm in size.

3. Drill four 18mm holes at the marked positions.

! *Excessive drilling diameter is strictly prohibited !*

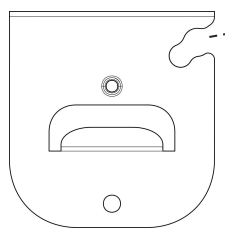
4. Thread the screws(E) through the hole in the articulating brackets(B1&B2), the washer(G), and the spring toggle(F). Then insert the spring toggle into the pre-drilled hole.



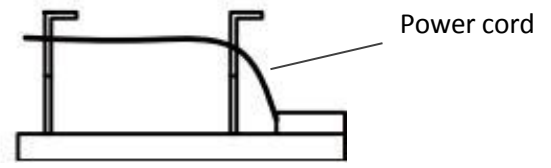
5. Tighten the screws.

6. Refer to Steps 6 and 7 of the concrete ceiling installation to secure the device and complete the installation.

Power Cord Placement Tip:





Insert the power cord into the Cable routing groove to lift it off the surface and ensure proper routing.



! Do not place the power cord on the back of the product!

6 | OPERATION INSTRUCTIONS(Additional instructions)

Depending on your order, you will receive the operating instructions that match the product you purchased.

Mode A	Control the device with a built-in remote thermostat	
Mode B	Control the device with a built-in WIFI and remote thermostat	

Please check more details in the additional page.

7 | TROUBLESHOOTING

Problem	Reason	Measure
It has noise when original charged with electricity	Due to the structure stress of the heat insulator.	It is a normal phenomenon. Don't worry about it.
The surface of the device was slightly raised.	Due to the thermal expansion of the surface material.	It is a normal phenomenon. Don't worry about it.
The surface of the heating device is slightly warm.	1. The voltage is low. 2. In a low-temperature environment.	1. Install a voltage regulator. 2. It is normal.

8 | MAINTENANCE & SERVICING

Activities required before starting maintenance



Warning of electrical voltage

- If the power cord comes without plug, disconnect the circuit before

connecting it.

- Do not touch the mains plug or power cord connection with wet or damp hands.
- Hold onto the mains plug while pulling the power cable out of the mains socket.
- Allow the device to cool down completely.



Warning of electrical voltage

Tasks which require the housing to be opened must only be carried out by authorized specialist companies.

Cleaning the device



Warning of electrical voltage

Never immerse the device in water!

Clean the device with a soft, damp and lint-free cloth.

Ensure that no moisture enters the housing. Protect electrical components from moisture. Do not use any aggressive cleaning agents such as cleaning sprays, solvents, alcohol-based or abrasive cleaners to dampen the cloth.

Wipe the housing dry after cleaning.

9 | STORAGE

When the device is not being used, observe the following storage conditions:

- dry and protected from frost and heat
- in an upright position where it is protected from dust and direct sunlight
- with a cover to protect it from invasive dust, if necessary
- Place no further devices or objects on top of the device to prevent it from being damaged.

10 | TECHNICAL ANNEX

Information requirements for models with remote thermostat

Model	Nominal heat output/ (P _{nom})/ (KW)	Minimal heat output (indicative)/ (P _{min})/ (KW)	Maximum continuous heat output/ (P _{max.c})/ (KW)	At nominal heat output/ (el _{max})/ (KW)	At minimal heat output/ (el _{min})/ (KW)
WGT1-CG0603	0.75	0.75	0.75	N/A	N/A
WGT1-CG0803	1.15	1.15	1.15	N/A	N/A
WGT1-CG1003	1.3	1.3	1.3	N/A	N/A
WGT1-CG1203	1.7	1.7	1.7	N/A	N/A
WGT1-CG1503	2.0	2.0	2.0	N/A	N/A

Item	Unit
Type of heat output/room temperature control (select one)	
single stage heat output and no room temperature control	[no]
Two or more manual stages, no room temperature control	[no]
with mechanic thermostat room temperature control	[no]
with electronic room temperature control	[no]
electronic room temperature control plus day timer	[no]
electronic room temperature control plus week timer	[yes]
Other control options (multiple selections possible)	
room temperature control, with presence detection	[no]
room temperature control, with open window detection	[yes]
with distance control option	[no]
with adaptive start control	[no]
with working time limitation	[yes]
with black bulb sensor	[no]
self-learning functionality	[no]
control accuracy	[no]

Information requirements for models with wifi thermostat

Model	Nominal heat output/ (P _{nom})/ (KW)	Minimal heat output (indicative)/ (P _{min})/ (KW)	Maximum continuous heat output/ (P _{max.c})/ (KW)	At nominal heat output/ (e _{lmax})/ (KW)	At minimal heat output/ (e _{lmin})/ (KW)
WGT2-CG0603	0.75	0.75	0.75	N/A	N/A
WGT2-CG0803	1.15	1.15	1.15	N/A	N/A
WGT2-CG1003	1.3	1.3	1.3	N/A	N/A
WGT2-CG1203	1.7	1.7	1.7	N/A	N/A
WGT2-CG1503	2.0	2.0	2.0	N/A	N/A
WGT2-CGR60	0.75	0.75	0.75	N/A	N/A
WGT2-CGR80	1.4	1.4	1.4	N/A	N/A
WGT2-CGR100	2.4	2.4	2.4	N/A	N/A

self-learning functionality	[no]
control accuracy	[no]

11 | DISPOSAL



The icon with the crossed-out waste bin on waste electrical or electronic equipment stipulates that this equipment must not be disposed of with the household waste at the end of its life. You will find collection points for free return of waste electrical and electronic equipment in your vicinity. The addresses can be obtained from your municipality or local administration.

The separate collection of waste electrical and electronic equipment aims to enable the re-use, recycling and other forms of recovery of waste equipment as well as to prevent negative effects for the environment and human health caused by the disposal of hazardous substances potentially contained in the equipment.

Item	Unit
Type of heat output/room temperature control (select one)	
single stage heat output and no room temperature control	[no]
Two or more manual stages, no room temperature control	[no]
with mechanic thermostat room temperature control	[no]
with electronic room temperature control	[no]
electronic room temperature control plus day timer	[no]
electronic room temperature control plus week timer	[yes]
Other control options (multiple selections possible)	
room temperature control, with presence detection	[no]
room temperature control, with open window detection	[no]
with distance control option	[yes]
with adaptive start control	[no]
with working time limitation	[yes]
with black bulb sensor	[no]